

# Smart Dustbin Using IOT Notification

Anuradha Singh (✉ [anuradhasingh426@gmail.com](mailto:anuradhasingh426@gmail.com))

Madan Mohan Malaviya University of Technology <https://orcid.org/0000-0002-8648-1639>

Prabhakar Tiwari

Madan Mohan Malaviya University of Technology

---

## Research Article

**Keywords:** IOT, Node MCU, Arduino, Sensor, Buzzer, GSM, Blynk App, Wi- Fi, LED Bulb, LCD Bulb, Software Coding, USB Cable, Dust Bin

**Posted Date:** July 9th, 2021

**DOI:** <https://doi.org/10.21203/rs.3.rs-699249/v1>

**License:**  This work is licensed under a Creative Commons Attribution 4.0 International License.

[Read Full License](#)

---

# Smart Dustbin Using IOT Notifications

Anuradha Singh  
Electrical Engineering Department  
Madan Mohan Malaviya University  
of Technology  
Gorakhpur, India  
anuradhasingh426@gmail.com

Prabhakar Tiwari  
Electrical Engineering Department  
Madan Mohan Malaviya University  
of Technology  
Gorakhpur, India  
tiwarip6@gmail.com

**Abstract**— In today's world, we frequently witness rubbish bins or dust bins are located in cities and in public places due to overflowing the daily growth in the garbage. This generates an unsanitary environment for humans and a foul odor in the surrounding area, which contributes to the spread of lethal illness and human diseases. Avoid to this, our purpose is constructing for a "Smart Dustbin Using IOT Notifications." Several rubbish bins may be found all through the cities or even on campuses in this proposed system; those kind of waste can is equipped such as a embedding gadget at a cheap price that supports track the height of the waste cans, as well as this is unique identification for everyone rubbish bin in the city, making it is easy to classify which rubbish bins has been fully mode. That gadget will broadcast is level together with unique ID specified when it hits the threshold limit. These facts can be viewed by concerned authorities over the internet from their location, allowing them to take rapid action to clean the trash cans. The government began a number of projects to improve the country's cleanliness. This paper is beneficial to the government's "SWACHH BHARAT ABHIYAN" project. Waste management is currently one of the world's most pressing issues, regardless of whether a country is developed or developing. The main problem with trash management is that garbage in public locations overflows well before the next cleaning operation begins. It therefore leads to different hazards, such as a faulty door and ugliness in the area, which may be the source of disease transmission. This effort is based on a smart waste system to avoid any potentially dangerous scenarios and to ensure public cleanliness and health. The primary goal for this paper aims to develop an intelligent waste alert system collection by the sending a notification to a municipality web application immediate dust bin clean and a notification to a

Municipality web application waste fill levels. These procedures are facilitated with a sensors built of ultrasonic waves these are connected to an UNO (Arduino Uno) and checks the levels of the waste inside the dust bin, sending and a notification to the municipality web application if the bin has been fully mode. The entire procedure is supported by an embedded module that utilities IOT facilitation. With the help of this system, the Municipality authorities can monitor and follow up on the in near real - time, the condition of waste collection. In addition, to the appropriate corrective actions might perhaps be adjusted. To accomplish this, an Android application has been created and connects to the web application. Sends an alarm and from micro - controller to the city workplace and to keep an eye on the removal process from afar performed through the employees, eliminating manual inspection and confirmation procedure to transfer the data, the Wi-Fi chip is required and notifications is to the Android app.

**Keywords**— IOT, Node MCU, Arduino, Sensor, Buzzer, GSM, Blynk App, Wi- Fi, LED Bulb, LCD Bulb, Software Coding, USB Cable, Dust Bin

## I. INTRODUCTION

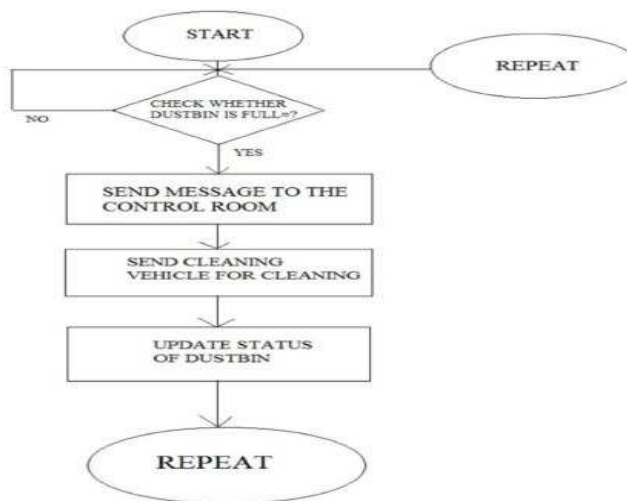
The IoT stands for Internet of Things is described as the use of embedded devices to link physical stuff electronic sensor and the software that is enables these devices to send and receive data from one another. By connecting physical devices to the internet, the IOT accomplishes sensing, data collection, storage, and processing. In this paper, we will design a system to collect waste from time to time, and if that is not possible, we will attach one mechanism to it for urgent purposes. The dustbin has enough space for another two days due to the mechanism. Waste management is primarily handled by municipal committees in Indian cities. When the rubbish containers full up, we employ

ultrasonic sensors to detect the inflow. When the garbage bins fill up, sensors that use ultrasonic waves are accustomed towards indicate the level of garbage in the bins. The sensor would be installed on top of the bin, allowing the municipal committee to be notified when the rubbish level had reached its highest level. Dustbin shall be then collected as quickly and efficiently as possible after that. We live in a time when with the potential of IoT, jobs and systems are merging well together create an extra effective working systems and the to complete things faster! These are what's we've keep coming up with everything of the strength that is right at our fingers. The IoT means Internet of things will have the ability to integrate a vast number of diverse systems in a transparent and seamless manner, while also giving information that will be used by millions of individuals profit from. Constructing a generic The Internet of Things (IoT) architectural design is thus a tough task endeavour, owing to enormous number a collection of gadgets, connection layer technology, and service could become a part of this kind of network One of our key environmental problems has always been the handling of household waste, which seems to have a negative influence on our society's well- being ecology. One of most pressing issues of our time is the identification, monitoring, and management of trash. The conventional method of visually checking waste in the dustbin is a time-consuming processes that requires too much human work, the passage of time, money, all of this may be prevented by using today's technology. That's also everyone's situation answer, a trash management company system that are fully automating. That's also everyone's situation Internet of Things an innovative trash tracking system solution to keep cities clean and healthy. The key to a "Smart City" is the most pressing necessity of the hour for a developing country. Hazardous pollution and its ensuing repercussions on humanity's health, increasing global warming, and ozone layer depletion are some of the ecological issues that pose a threat to this. Municipal Solid Leftovers (MSL) [1] are likely to be the source of most environmental pollution. For just a quick and painless clearance of all the created Municipality waste solid bins, proper maintenance is required [2]. Trash can be any unwanted stuff scraps out of the public zone, society, college, home, cities and so on. It is an academic article associated with the concept of a "smart world" is according to the IOT means "Internet of Things". Such, in order to live a wonderful life, tidiness is essential, and tidiness

begins with the waste can. This venture will aid in the elimination of the trash disposal problem. The Internet of Things is a new correspondence worldview that envisions a not-too-distant future in which everyday objects will be outfitted with microcontrollers, advanced communication handsets, and reasonable convention stacks that will enable them to communicate with one another and with clients, transforming them into a basic piece of the Internet. This project will provide an IoT Garbage Monitoring Framework to help keep metropolitan areas clean.

### **1.1 The Problem**

A large number there've been a lot of apartments and flats built erected even in fast-paced urbanisation areas in recent years. This is owing to strong housing demand, which has skyrocketed as both a consequence people migrating from rural to city in search of works. The government has also built new complexes of apartments to serve expanding the urban population region. The people that live in the apartments are dealing with a number of challenges. Solid waste disposal is one of them. Unlike in individual homes, all occupants of the apartments share a shared trash can, which soon fills up. Garbage overflow is a sanitary hazard that could lead to illnesses such as dengue fever and cholera fever. Furthermore, this is a waste of time and energy to do so drive surrounding a building or a location only discover now that is some rubbish can is full & others are not really the case. On rare occasions, there may be issues with the truck's capacity due to a large amount of rubbish. The idea came to while we're together noticed that perhaps the cube van is used through run all throughout region twice a day collecting solid waste. Although this approaches were comprehensive, it had been ineffective. Let's pretend that street A is a major thoroughfare, and we're on it notice the fact that rubbish bin fill ups quickly, whilst street B's bins aren't even when half-full after two days. It is a prime illustration based on real-life events, which led to the moment of "Eureka".



The flowchart is of this paper is in figure 1

## II. LITERATURE SURVEY

In this chapter we have discussed about all the main sequences of our model along with the background study and related works.

### 2.1 Related works

Several papers on Bangladeshi waste management, “Solid Waste Management System in Dhaka City, Bangladesh,” for example. “Waste Management in Bangladesh: Current Situations and Action Suggestions,” (Waste Management in Bangladesh: Current Situations and Action Suggestions), “A CASE STUDY ON SOLID WASTE MANAGEMENT IN DHAKA CITY,” “Municipal solid waste (MSW) management in Dhaka City, Bangladesh”, and others, have gone published previously. There is no other paper on our topic that has been found. Previous Bangladeshi trash management is addressed or data are offered in each publication, but no precise solutions employing algorithms are provided. In this instance, this study would serve as strong evidence as well as a solution for Bangladesh's Smart Waste Management System.

### 2.2 Background Study

The most important aspect of our project was to use machine learning algorithms to implement the entire procedure after collecting yearly garbage data from Bangladesh. In order to develop our paper, we combed through all of the popular and effective algorithms for machine learning to discover the finest algorithm for our topic.

### 2.3 Bio Degradable Oxy Bags

The first stage in trash management is to properly pack garbage in bags so that it is easier to transport for further processing. In that situation, biodegradable oxy bags for domestic customers would be a good option for waste collection. Bags made of biodegradable materials that can be degraded bacteria or other living things beings. Waste will be packaged by customers in bags that decompose, which will be collected with the help of volunteers at the appropriate times. Because no stink would spread and waste will remain in an orderly state, this packing strategy will make everything more adaptable for management.

### 2.4 Using Smart Bins

Smart bins will play a critical part in this management system, allowing for an organised start to the processing. Several bins will be located in locations under a single major regional office. Every container will have a sonar sensor to determine the amount of trash. It is going to happen notify personnel such as collect that the rubbish whether there are wastes exceed as a specific specified highest levels of bins. Smart bins would also be able to distinguish between different sorts of rubbish. Virtual machines will be designed to distinguish between biodegradable, metal-plastic, and glass garbage. Recycle Partners will be able to recycle the garbage with the use of this distinct information. When a bin is filled, all information from it will be recorded in a JSON file and delivered to the Regional Office.

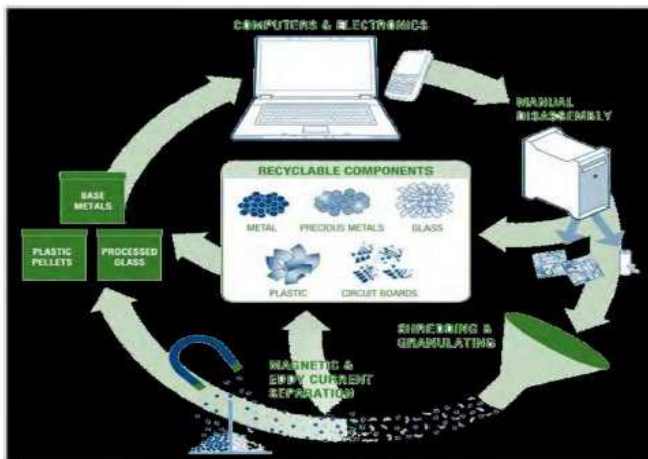
### 2.5 Smart Transport System

The Regional Rubbish Collection Office will pick up all of the waste from smart bins. Following the collection of garbage, all information or data will be transferred to the Central Control Centre (CCC) every 6 hours. CCC will allocate vehicles and staff based on these facts. CCC will also use data from the last ten years to assign manpower and transportation for each month, as garbage amounts vary according to the season. Machine Learning Algorithm (MLA) and Decreasing Time Algorithm (DTA) will be employed in a sequential order to anticipate the amount of waste and schedule manpower.

### 2.6 Recycling Waste

Recycling is the process of converting waste resources into innovation materials and components. The country will benefit economically if the recycling procedure is correctly applied to our waste. Recycling Partners will distinguish and

separate biodegradable, metal-plastic, and glass from wastes based on data provided by the Regional Office. They can deliver waste types to designated factories for further processing or recovery after separating wastes. If the garbage is made up of metal and plastic, the procedure described above can be utilised to recycle the metal and plastic. Other sorts of waste can now be recycled using digitalized recycling techniques.



**Figure 2 Recycle Waste of Garbage**

### III. SCOPE OF THE PROJECT

The smart dustbin's notifications have a lot of potential in the future. New functionalities can be added to the system to improve it. The manual dumping of rubbish in smart dustbins might perhaps be mechanized via installing a tipper or a robot arm the trashcan may be tracked via a GUI and the path tracking can be GPS enabled. Smart dustbins have a wide range of applications in smart buildings and smart cities. This project is also applicable to the "SMART CITY." This paper is also beneficial to the government's "SWACHH BHARAT ABHIYAN" project. The primary goal of this project is to save time and money while developing the notion of a global buildings. Trash spilling over from bins onto streets was a frequent sight, and it was a problem that needed to be handled immediately. The phrase "Cleanliness is close to god, and a clean city is near paradise" inspired us to start the initiative. By employing smart dustbins, we may be able to reduce pollution. Various time rubbish dustbin is overrun & many animals such as a dog or a mouse get in there or around a waste can. That results in an unfavorable scenario. Several animals also are trying to get garbage out of the trash bin. With this document, such instances may be avoided. Furthermore,

rather of transmitting the information to the supplier's offices, it might be delivered directly to the washing vehicle. The Swatch Bharat Abhiyan (English: Clean India Mission; abbreviated as SBA or SBM for "Swatch Bharat Mission") is an Indian government-led initiative to clean up the nation's sidewalks, highways, and infrastructures. It encompasses a total of 4,041 legal urban areas and municipalities. Our technology connects the Smart Dustbins to the internet in order to get real-time information about the Intelligent Trash cans. There's been a rapid rise in population in recent years, which has resulted in increasing waste disposal. A robust waste management system is necessary to prevent the spreading of certain deadly illnesses.

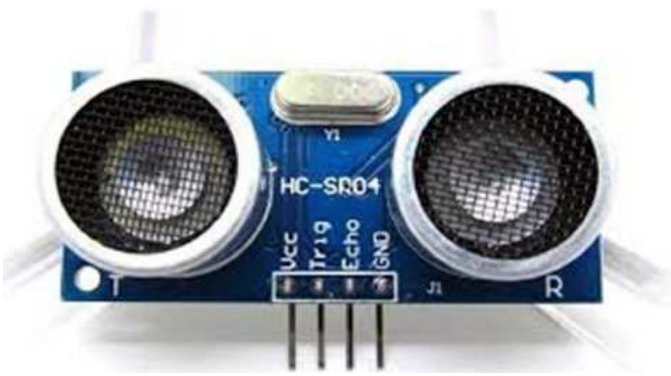
### HARDWARE REQUIREMENT

#### 4.1 Sensor for ultrasonic waves

Vcc, Trigger, Echo, and Ground are the pin designations for the HC-SR04 Ultrasonic (US) sensor, which is a four-pin module. That sensors is being used in a wide range of application. When it's necessary is to calculate distance as or detects items. This modules have twin eyeballs that resemble projects. An ultrasonic systems transmitter and receiver are located in the front. The sensor is compatible with the. A straightforward high school formulas

$$\text{Speed} \times \text{time} = \text{distance}$$

An ultrasonic transmitter emits an ultrasonic signal, which travels when it moves freely and is directed light to both the sensors encounters any materials. This ultrasonic waves receivers modules detects a waves that was mirrored. To use using equations listed above to compute to calculate the distances, us must first determine the time & speed. We are aware of the situation universal the pace with which the US waves is moving in rooms circumstances, which is 330m/s, because we're using ultrasonic waves. The circuitry integrated inside the modules sets the echo pin after calculating the time it takes for the US wave to return high in the same way length a period of time allows us such as determines the epoch. Use a microprocessor or microcontroller instead to determine the length of time.



**Figure 3 Ultrasonic Sensor**

#### 4.2 HCSR sensor made of ultrasonic waves

Sensor mode of ultrasonic waves the HC-SR04 measures the gap between both the bottom of the lid and the top of the lid and the highest point waste can.

NUMBER OF PINS	NAME OF PINS	SUMMARY
1)	VCC's	The sensors are generally powered by the Vcc pin +5
2)	Triggers	An input pin is a trigger pin. That pins must be hoisted up for 10 $\mu$ seconds to begin measuring by delivering a US waves.
3)	Echo's	An output pin is used to echo a pin. This pin goes high for the amount of time it takes the US wave to come to the sensors.
4)	GND's	This pin is linked to the system's ground.

#### Lists of Ultrasonic Sensor Pin Numbers and Functions

- Specifications of HC-SR04 Sensor

+5V: Operating Voltage

- 2 cm - 45 cm: Theoretical Measuring Distance
- 3 mm: Accuracy
- <15°: Measuring Angle Covered:
- <15 mA: Operating Current
- 40 Hz: Operating Frequency

#### Pin Out of Nodes MCU

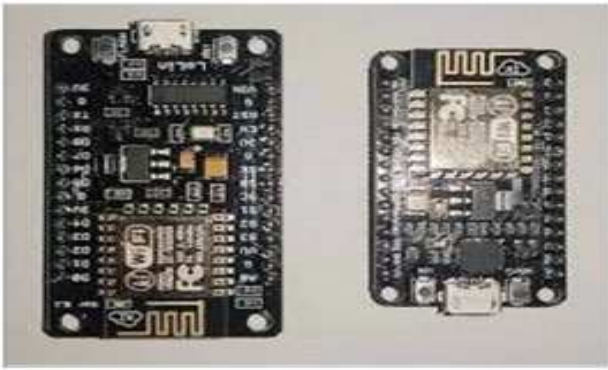
To the Node MCU framework is an open sourced IoT platform that is free to use. It comprises firmware for Espressif systems' ESP8266Wi-fi The ESP-12 module is used in the SoC and hardware. The defaults value for the phrase "Node MCU" focuses on the functional system software, not the application development tools the firmware uses the Lua programming language. It's developed on this Espress-if based on the eLua project, this is a non-OS SDK for the ESP8266. Many free software initiatives are used, lua-cjson and spiffs are two examples.

IO index	ESP8266 pin	IO index	ESP8266 pin
0[*]	GPIO16	7	GPIO13
1	GPIO5	8	GPIO15
2	GPIO4	9	GPIO3
3	GPIO0	10	GPIO1
4	GPIO2	11	GPIO9
5	GPIO14	12	GPIO10

**Figure 4 Pin out Node MCU**

#### 4.3 ESP 8266 Wi-Fi Module

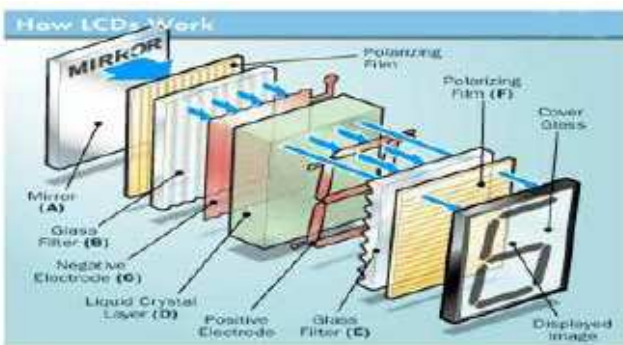
The NodeMCU framework is indeed a free and open source Internet of Things (IoT) platform. It really has firmware's in it runs on Express if System' ESP8266Wi-fi The ESP-12 module is used in the SoC and hardware. The default value for the word the firmware is referred to as "NodeMCU.", not the application development tools the firmware uses the Lua programming language. It's developed on Express-if Based on the eLua project, this is a non-OS SDK for the ESP8266. This makes use of number lua-cjson and spiffs are two examples of open source projects. The Node MCU allows you to link various sensors to their controllers through Wi-fi. It features superior coding and is simpler to use because it is an enhanced version of the ESP8266. More voltage stability and dependability.



**Figure 5 ESP 8266 Wi- Fi Module**

#### 4.4 LCD (Liquid Crystal Diode)

An LCD is a screens is a form of electronic gsm modem that may be used for a number of things. A LCD display with a resolution of 16x2 is referred to as a standard modules that can be found in a variety of circuits and devices. And those are the components recommended combining seven-segment LEDs and multi-segment LEDs. A There are 16 characters each line on a 16x2 LCD, and there are 32 characters per line on a 16x2 LCD two borders in total. These LCD's uses a 5x7 pixel matrix to show each character.



**Figure 6 LCD**

### IV. IMPLEMENTATION

#### 5.1. Software Implementation

##### 5.1.1. Blynk App

Blynk is a framework for controlling Raspberry Pi, Arduino as well as other gadgets via iOS and Android apps via using the internet browser. This is a virtual monitor in which you might track your progress may to make a visual frontend for our application, drag & drop widgets. The Blynk is not bound to any shield or particular board. Instead, this works with whatever gear you want. Blynk will get you online and ready for if it's the web of your

goods you're Raspberry Pi or Arduino are connected via web by this modern ESP8266 microchip or Wi-fi Ethernet. The internet of things was in mind when Blynk was built. It has the ability to operate hardware remotes, shows, save data, sensor data visualise it, as well as a range of other jobs.

The framework is made up of three key components:

##### ➤ App Blynk

Using the many widgets provided by the Blynk app, you can design beautiful interfaces for your projects.

##### ➤ Server Blynk

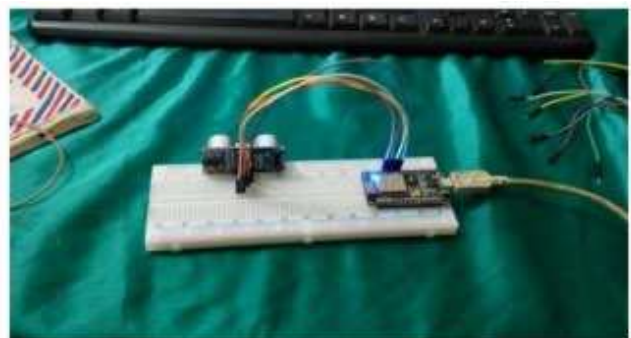
Blynk server is the in charge of any and any correspondence between phones as well as the hardware. You may either utilise our Blynk Cloud or create your own the server of Blynk is on our own computers. This is capable of supporting thousands of devices, open source and even can runs upon software of Raspberry Pi.

##### ➤ Blynk Libraries

Blynk libraries enables connectivity and with the server handle every outgoing and incoming command on every platforms of popular software.



**Figure 7. (a) The screenshot of Blynk in output mode**



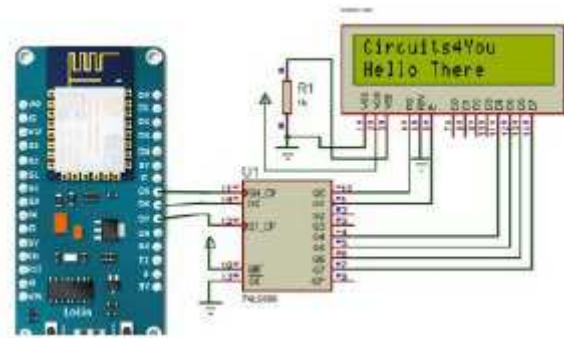
**Fig.7. (b) the HC-SRS04 circuits wt. a Node MCU**

**Figure 7. Source code for Node MCU shown via Blynk**

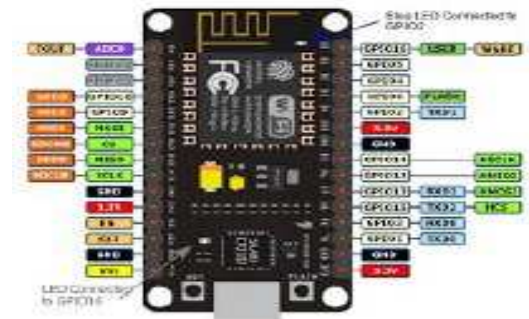
### V. WORKING

This project, Smart Dustbin with IoT, is a cutting-edge solution that will aid in the clean-up of cities. This method uses a mobile application to monitor garbage bins and provide information on the amount of rubbish collected. The system detects the rubbish level and compares it to the depth of the garbage containers using ultrasonic sensors positioned over the bins. The Raspberry Pi is employed to deliver data within this framework. A 12V the system is powered by an electrical power source. Purpose of an application is to show the status to the person who is monitoring it. The programme shows a glimpse of the trash cans and color-codes waste collection to display the amount of garbage collected. As a result, this technology aids in the clean-up of the city by telling residents about waste levels in bins and delivering images of the bins via an IoT application development platform. The authorised person receives notification that a waste bin is full via the application and subsequently informs the person in charge of garbage collection where the rubbish bin is full in specific regions. Data is saved in a database and then retrieved in IoT applications in external as well as public spaces, where connectivity is critical for service provisioning. Because this sort of IoT has such a broad service area, devices must be able to connect with one another in a secure manner. As a result, the proposed system's SGBs communicate with one another via a wireless mesh network, ensuring communication dependability. On sometimes, IoT devices in an external environment may need to shift. The suggested system's mobility is ensured via a battery-based power supply. Data exchanges and services should be available at any time and from any location in IoT with a broad service domain. The Internet of Things has improved user convenience. In this project, I'll teach everyone How and where to Build a Smart Garbage Can using UNO Arduino, where even the garbage can be found lid would be open simultaneously as users come at it with trash. Ultrasonic sensor HC-04 with servo motor SG90 TowerPro are other crucial components in the Smart Dustbin. Dustbins (also

known as garbage bins, trash cans, or trash cans) are tiny plastic containers (or metal) containers also used to keep things safe for a while trash or waste. These are frequently a device for collecting garbage in homes and businesses, streets, and parks, among other places. Littering is a significant crime in some areas, thus Public Rubbish Containers are the sole option to dispose of minor waste. Separate bins are usually used to collect wet and dry waste, as well as recyclable and non-recyclable waste. Throughout this paper, I devised a straightforward system dubbed Smart Trashcan, in which using Ultrasonic Sensor, Servo Motor and Arduino to take out the trash lid automatically whenever the presence of a human finger is sensed.



**Figure 8. Circuit diagram of Node MCU**



**Figure 9. Actual Circuit of Node MCU**



**Figure 10. Internet of Things**



## VI. OBJECTIVE

To detect the dustbins on a regular basis. To notify the person in charge whenever the dustbins are full or empty, and to indicate if there is anything offensive in the bins. To efficiently automate the garbage waste collection operation. To notify the system's administrator whenever the garbage collecting and cleaning operation is completed or not completed appropriately.

## VII. METHODOLOGY

The IoT smart garbage monitoring device monitors the trash can and provides information on the amount of rubbish in it via webpages. The system is set up with an Arduino microcontroller, which is linked to sensors and a Wi-Fi modem. Two sensors are used in this example. One is the MQ136 sensor, which is used to detect foul odours in bins. Another type of sensor is a detector that detects ultrasonic waves used to determine the garbage level at bins. This webpage can be used to track when individuals start throwing trash in the trash can. When the trashcan fills to the specified level, a microcontroller attached to a WIFI modem sends a notification to the waste collection service. In addition, the buzzer in the garbage truck will be activated by a RED LED.

## VIII. FUTURE ENHANCEMENT

We've already begun discussions with the local cantonment authority, who are preparing to implement our proposal as a trial project in Dhaka Cantonment. After that, we want to install it in Gulshan, Baridhara, Banani, Bashundhara R/A, and Uttara within three years. We want to sell the compost waste to fertiliser manufacturers as well as biogas treatment plants. We also intend to export some of the garbage that has been treated in order to generate foreign cash. We also intend to export some of the garbage that has been treated in order to generate foreign cash. So, for the social business, this is our revenue creation strategy. We will also provide educational opportunities for those under the age of 18 as well as the children of our employees. We intend to unite with Jaago Foundation, a BRAC NGO, to provide educational services. There's many numerous possibilities for the destiny tasks and enhancements to the suggested systems, including doing a case study on the types and times of waste collection on various

days or seasons, reducing the fixing the parameters and relying on electrical equipment Change the user authentication method and the atomic lock of bins, which will assist protect the bin from damage or theft. Adding to the framework and going to add smarter city use scenarios and deployments is possible via improving the graphical network for the Server and entire Android applications. As a result, future research can be focused on the aforementioned models that produce the best outcomes.

## IX. DESIGN AND MODELLING

An ultrasonic sensor is utilised in this IoT project to determine whether or not the trash can is full of waste. We can define a threshold value, which signifies If the rubbish can is overflowing, you shall send a notification "Container is overflowing" on the homepage, and if the distance is too great, you shall write the information "Range is too great." is greater We'll publish the notification "Container is vacant" if the value is less than this criterion. The threshold value of 5cm has been established in the programme code. The ESP8266 A Wi-fi adapter will be installed used through link Arduino to the webserver. To demonstrate how this smart dustbin works, we used a local webserver.

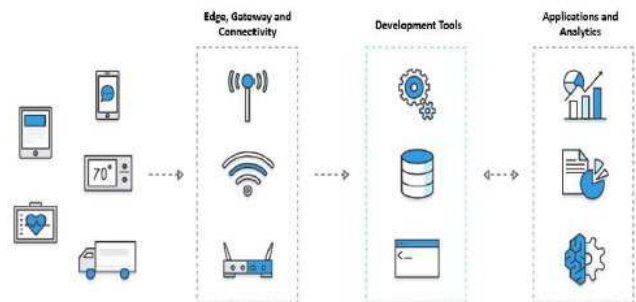


Figure 11. Local Webserver

### 9. (1). Implementation of Hardware

The sensors that detects Arduino are a type of microcontroller and ultrasonic waves connected in a fairly straightforward manner. Connect the Arduino's 5V and ground in the VCC as well as foundation to the ultrasonic sensor. After that, join the dots ultrasonic sensor's ECHO & TRIG pins to the Arduino's Pi 11 and 12, respectively. Connect the RX pin on Arduino to The features of the Gsm modem TX pins, and the TX pin on the Arduino to the GSM module's RX pin. Join the dots. Arduino's pin of GND to a module's surface. In addition,

GSM modules requires an external 12v power supply.

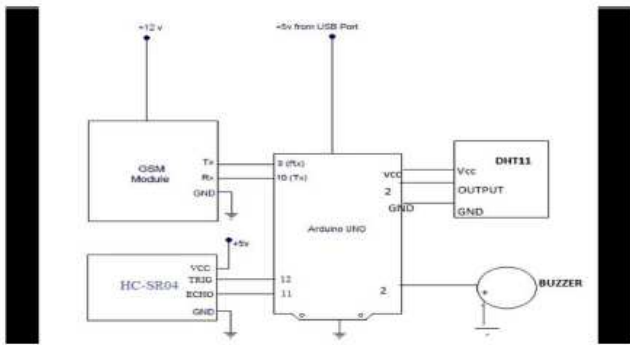


Figure 12. Circuit Diagram

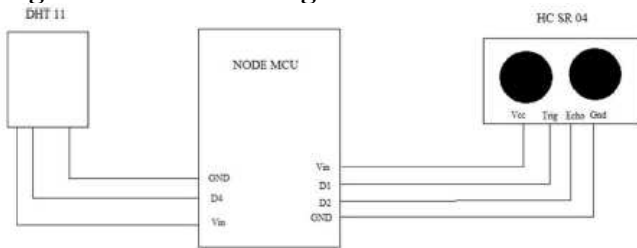


Figure 13. Basic figure of HCSR04 wt. node MCU and DH11

## X. SYSTEM TESTING

### 10.1 Test Approach

The project will be tested there are two steps to this process: hardware and software. The application software component will to be examined using to the IDE Arduino, while the hardware component will be physically tested. It is vital to verify if the policy is in place functioning appropriately. We'll use a metre tape to examine the distance indicated out by the sensor to see if the measurements are accurate.

### 10.2 Failures to be tested

We test the circuit after it is completed; the testing technique is outlined in 6.1. This project must meet certain requirements. The following features will be put to the test:

- The ultrasonic sensor should provide accurate results. The scanner's outputs will indeed be tested in opposition to metre tapes to see if it is correct or not.
- In the serial monitor, the Arduino The length must be displayed on the boards. The NodeMCU also should follow suit.
- After the given delay, the GSM module should send messages. The GSM module is operational if text messages are received by

the phone. When it sends messages, it should produce a small ringing sound.

1. The DHT11 sensor should function properly and the output should be shown in the serial monitor.
2. Double-check the Blynk app.

### 10.2.1 Testing tools and environment

We'll need various tools to test the project; for example, to test an Arduino programme, we'll need the Arduino IDE software. We can use this to see if the software is working properly or not. We'll need a power supply, a variety of measurements, and a metre tape to check the hardware. Only solid waste should be dumped in the landfill. The NodeMCU should communicate with the Blynk app, which should display the output. To do so, the Node MCU must first connect to a Wi-Fi hotspot.

5.3 Examples of test cases we will describe the inputs, expected output, and testing procedure in this part.

### 10.3. 1. Inputs

Three things are required for this project:

- Power supply: Any electronic circuit requires a provision of electricity. The Arduino is powered by a 5 volt DC battery here, but we are able to also straight from mains PC. The GSM module will also require a 12V power supply.
- A circuit can also be used divider to provide electricity to all these circuits with two nine – volt battery pack. Range, the range will become the deciding factor. Arduino circuit inputs, which would be obtained as a result of the ultrasonic sensor.
- Here is the DHT11 sensor's humidity and temperatures.

### 10.3.2. Expected Output

A text message indicating the distance to full should be the project's expected output. In addition, it will convey the temperatures and humidity such that the surrounding environment. The result ought to be visible on the screen as well. Arduino IDE's monitor serial. The final product ought to be visible onto both the Blynk app and the monitor serial.

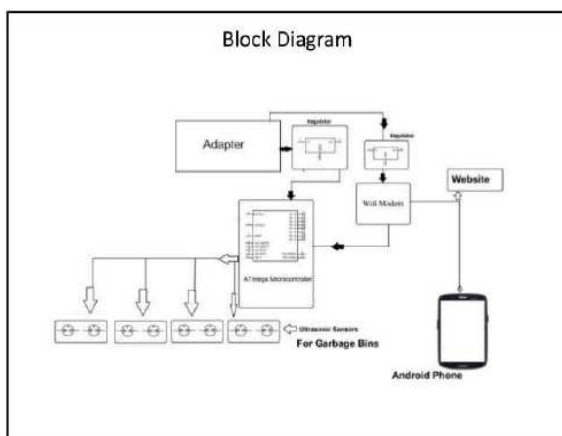
### 10.3.3. Procedure of testing

To test the circuit, first connect it to the Arduino's power supply, which can be done via a computer or

a battery. The entire testing circuit is constructed in this manner. We now provide by using the HC-SR04 as a source of data adjusting to the solid waste levels. GSM Module should be used to communicate changes in waste levels.

The following is a brief overview the procedure of testing,

- Assemble the system as shown in the illustration.
- Give the system more power.
- Vary to garbage level at which the ultrasonic sensor outputs.
- Obtain the DHT11 sensor's output.
- Use the GSM module to send a message.



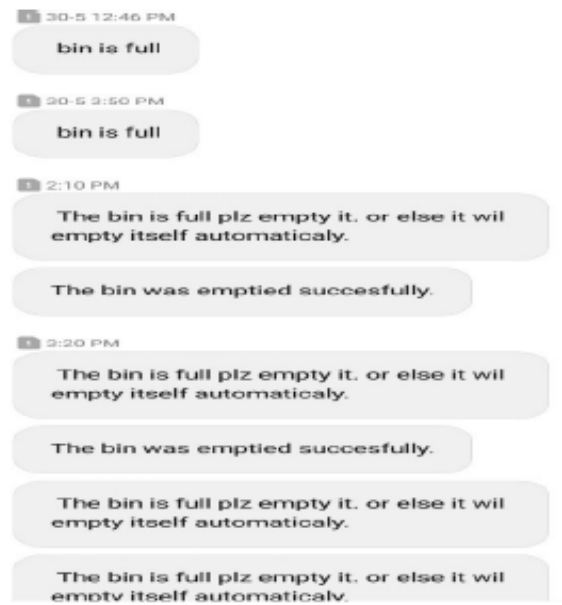
**Figure 14. Block diagram of Smart dustbin**

## XI. RESULTS

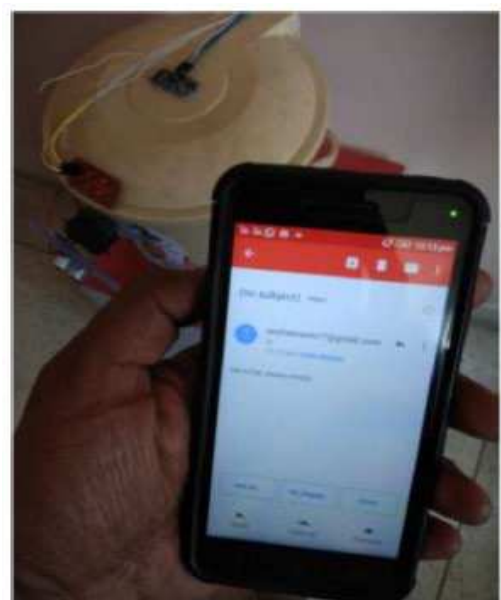
The following are the outcomes of this investigation.

- Detection of the inside the level of the garbage container.
- Wirelessly send the data to people who need to know.
- Data can be viewed at any time and from any location.
- Data transfer and access in real time.
- Ensures that the trash can does not overflow. The Internet of Things (IOT) - predicted garbage the term "management" refers to the process of extremely beneficial to cities that are smart a variety of ways. We've seen how different dustbins are positioned in different

sections of cities, and how dustbins are frequently overflowing and the concerned individuals are unaware of this. Our system is meant to address this problem and will provide detailed information on the dustbins positioned throughout the city. To receive the facts, the assigned the information may be accessed by the authorities from any location, and at any time. As a result, they will be able to make decisions on this right away.



**Figure 15. Send text message to mobile**



**Figure 16. Smart Bin**

## XII. ABBREVIATIONS

Liquid Crystal Diode- LCD  
Light Emitting Diode- LED  
Random Access Memory- RAM  
Read Only Memory- ROM  
Input Output- I/O  
Read Write- R/W  
Enable- EN  
Ground- GND  
Universal Serial Bus- USB  
Wireless Fidelity- Wi-fi

## XIII. CONCLUSION

Smart trash cans are a requirement for smart buildings. Smart dustbins are a brilliant concept from smart city planners. Smart dustbins are a novel concept in which a standard smart dustbin is outfitted with sensors to detect waste levels and deliver a message to the user informing them of the bin's state. When the dustbin is full, it uses motors and wheels to move in a predetermined direction to the larger container. The rubbish is manually dumped into the container, and the dustbin returns to its original location in the same way. Application development for city administrations and municipal employees. The IoT-based rubbish monitoring system is a cutting-edge solution that will assist in keeping cities clean. We created a reliable waste system of surveillance that can indeed be put to be using keep track of amount of trash in a landfill. That information could also be utilised the better organise waste collections excursions, resulting in fewer overflowing bins and improved public sanitation. Smart waste monitoring systems are in high demand and have a bright future. It is simple to use, cost-effective, and time-saving. This technology reduces human work while simultaneously making the surroundings more environmentally friendly. There is no adequate clever approach to dispose of rubbish bins nowadays. To address this, we have established a programme that assists society and individuals in maintaining a healthy and clean environment.

### Advantages

1. It's a really basic circuit.

2. The HCSR04 sensor is extremely durable.
3. Assists in the monitoring of rubbish levels.
4. It consumes extremely little electricity.
5. In the end, it aids in improved garbage collection planning.
6. Can aid in the reduction of overflowing bins
7. Cuts down on excursions to regions when the bins are still full.
8. Dynamic routing — based on real-time data provided on webpages, the technology optimises waste collection routes and schedules.
9. Cost savings - It offers a solution for drastically reducing waste collection, allowing you to save money on fuel, labour, and time.
10. Improved sanitation — in densely populated areas, rapid waste generation frequently results in waste overflowing. This provides a garbage collection service before the bins in the street overflow.
11. CO2 reduction - This solution allows you to have fewer trucks on the road for a shorter period of time, resulting in less noise and air pollution.

### Disadvantages

1. There is no way to identify liquid waste.
2. Only detects the waste level's top. It would be oblivious to the fact that there is still room.
3. A power source of 12 volts is required in order to use the GSM module.

### Experimental Result

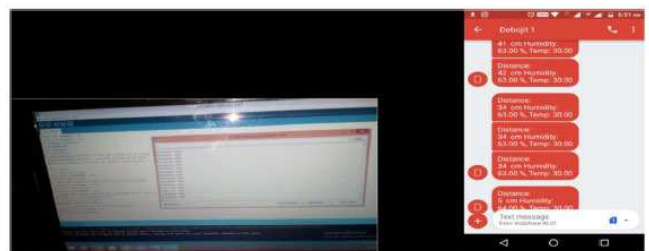


Figure 17. Output as a text message on phone

The distances, temperature and humidity numbers, because we had expected to the received by message sent through text should have been project's output. The sensors must be in excellent working order for the GSM Module to deliver data, as shown in Figure 17. This leads us to the next picture, which shows the text messages transmitted by the Module for GSM. Of addition, the result in

the Blynk application is depicted into the picture, it depicts info that is updated in real time on the application through Wi-Fi.

## REFERENCES

- [1] Flora, A. (2009). "Towards a clean environment: A proposal for University Kebangsaan Malaysia on a sustainable and integrated solid waste management system." Alam Flora has provided a report.
- [2] Visvanathan, C., Ulrich, G., (2006). "Domestic Solid Waste Management in South Asian Countries – A Comparative Analysis", 3 R South Asia Expert Workshop, Kathmandu, Nepal. (All reference are very old New latest reference may be following the year 2014).
- [3]. Twinkle Sinha, K.Mugesh Kumar, P.Saisharan, (2015). "SMART DUSTBIN", International Journal of Industrial Electronics and Electrical Engineering, ISSN: 2347-6982, Volume-3, Issue-5.
- [4]. Adam, M., Okasha, M. E., Tawfeeq, O. M., Margan, M. A., & Nasreldeen, B. (2018). Waste management system using iot. *2018 International Conference on Computer, Control, Electrical, and Electronics Engineering (ICCCEEE)*, (pp. 1–4).
- [5]. Africa, A. D., & Charleston Franklin, C. U. (2019). Development of a cost-efficient waste bin management system with mobile monitoring and monitoring. *The International Journal of Advanced Studies is a peer-reviewed publication that Trends in Computer Science and Engineering*, 8, 319.
- [6]. AlMetwally, S. A., Hassan, M. K., & Mourad, M. H. (2020). Real Time Internet of Things (IoT) Based Water Quality Management System. *Procedia CIRP*, 91, 478–485.
- [7]. Amitha, S., Raj, P. N., Sonika, H. P., Urs, S., Tejashwini, B., Kulkarni, S. A., et al. (2020). Segregated Waste Collector with Robotic Vacuum Cleaner using Internet of Things. *2020 IEEE International Symposium on Sustainable Energy, Signal Processing and Cyber Security (iSSSC) is a project that focuses on signal processing and cyber security*. (pp. 1–5).
- [8]. Anh Khoa, T., Phuc, C. H., Lam, P. D., Nhu, L. M., Trong, N. M., Phuong, N. T., et al. (2020). Waste management system using iot-based machine learning in university. *Wireless Communications and Mobile Computing*, 2020.
- [9]. Anitha, A. A., & Arockiam, L. (n.d.). Promoting a Clean and Hygienic Environment using IoT.
- [10]. Ashima, R., Haleem, A., Bahl, S., Javaid, M., Mahla, S. K., & Singh, S. (2021). Automation and manufacturing of smart materials in Additive Materials Today: Proceedings, Manufacturing Technologies Using the Internet of Things towards Industry 4.0 Adoption.
- [11]. Chen, W.-E., Wang, Y.-H., Huang, P.-C., Huang, Y.-Y., & Tsai, M.-Y. (2018). A smart IoT system for waste management. *2018 1st International Cognitive Cities Conference (IC3)*, (pp. 202–203).
- [12]. Dubey, S., Singh, P., Yadav, P., & Singh, K. K. (2020). Household waste management system using IOT and machine learning. *Procedia Computer Science*, 167, 1950–1959.
- [13]. Faisal, T., Awawdeh, M., & Bashir, A. (2021). Design and development of intelligent waste bin system with advertisement solution. *Bulletin of Electrical Engineering and Informatics*, 10.
- [14]. Hassan, S. A., Jameel, N. G., & Şekeroğlu, B. (2016). Smart solid waste monitoring and collection system. *International Journal*, 6.
- [15]. Islam, M. S., Arebey, M., Hannan, M. A., & Basri, H. (2012). Overview for solid waste bin monitoring and collection system. *2012 International Conference on Innovation Management and Technology Research*, (pp. 258–262).
- [16]. Kang, K. D., Kang, H., Ilankoon, I. M., & Chong, C. Y. (2020). Electronic waste collection systems using Internet of Things (IoT): Household electronic waste management in Malaysia. *Journal of cleaner production*, 252, 119801.
- [17]. Kasliwal Manasi, H., & Suryawanshi Smith Kumar, B. (2016). A Novel approach to Garbage Management Using Internet of Things for smart cities. *International Journal of Current Trends in Engineering & Research*, 2, 348–353.
- [18]. Mahajan, K., & Chitode, J. (2014). Zig-Bee Based Waste Bin Monitoring System. *International Journal of Engineering Sciences & Research Technology*, 3.
- [19]. Monika, K. A., Rao, N., Prapulla, S. B., Shobha, G., & others. (2016). Smart dustbin-an

- efficient garbage monitoring system. *International Journal of engineering science and computing*, 6, 7113–7116.
- [20]. Navghane, S. S., Killedar, M. S., & Rohokale, V. M. (2016). IoT based smart garbage and waste collection bin. *International Journal of Advanced Research in Electronics and Communication Engineering (IJARECE)*, 5, 1576–1578.
- [21]. Nidhya, R., Kumar, M., Ravi, R. V., & Deepak, V. (2020). Enhanced Route Selection (ERS) algorithm for IoT enabled smart waste management system. *Environmental Technology & Innovation*, 20, 101116.
- [22]. Patil, M., Yadav, S., Lodaya, P., Mohanty, R., & Dudwadkar, A. (2017). Implementation of Automated Waste Segregator at Household Level. *International Journal of Innovative Research in Science, Engineering and Technology*, 6.
- [23]. Shamin, N., Fathimal, P. M., Raghavendran, R., & Prakash, K. (2019). Smart garbage segregation & management system using Internet of Things (IoT) & Machine Learning (ML). *2019 1st International Conference on Information and Communication Technology Innovations (ICICT)*, (pp. 1–6).
- [24]. Sharma, M., Joshi, S., Kannan, D., Govindan, K., Singh, R., & Purohit, H. C. (2020). Internet of Things (IoT) adoption barriers of smart cities' waste management: An Indian context. *Journal of Cleaner Production*, 270, 122047.
- [25]. Sheng, T. J., Islam, M. S., Misran, N., Baharuddin, M. H., Arshad, H., Islam, M. R., et al. (2020). An internet of things based smart waste management system using LoRa and tensor flow deep learning model. *IEEE Access*, 8, 148793–148811.
- [26]. Swapna, B., Kamal Ahsan, M., Sowmiya, S., Konda, S., & SaiZignasa, T. (2019). Design of smart garbage landfill monitoring system using Internet of Things. *IOP Conference Series: Materials Science and Engineering*, 561, p. 012084.
- [27]. Ukhurebor, K. E., Nwankwo, W., Adetunji, C. O., & Makinde, A. S. (2021). Artificial Intelligence and Internet of Things in Recent Advances in Waste Bio degradation Plant Instrumentation and Control. *Microbial Rejuvenation of Polluted Environment*, 265–279.
- [28]. Wen, Z., Hu, S., De Clercq, D., Beck, M. B., Zhang, H., Zhang, H., et al. (2018). Design, implementation, and evaluation of an Internet of Restaurant food network system based on the Internet of Things (IoT) waste management. *Waste management*, 73, 26–38.
- [29] Zeb, A., Ali, Q., Saleem, M. Q., Awan, K. M., Allowayr, A. S., Uddin, J., et al. (2019). A proposed IoT-enabled smart waste bin management system and efficient route selection. *Journal of Computer Networks and Communications*, 2019.