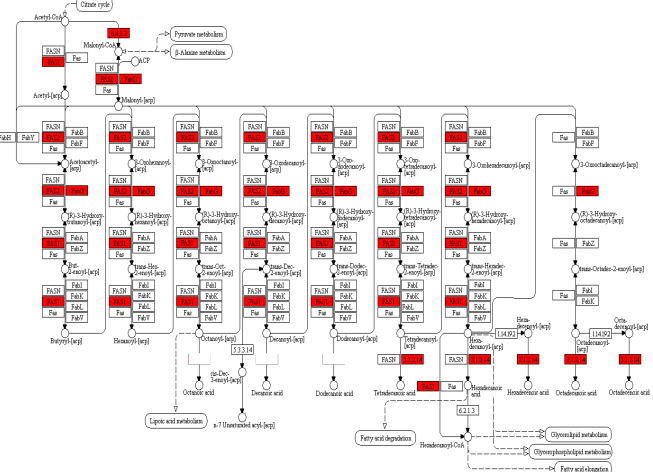


### Cluster 1

FATTY ACID BIOSYNTHESIS

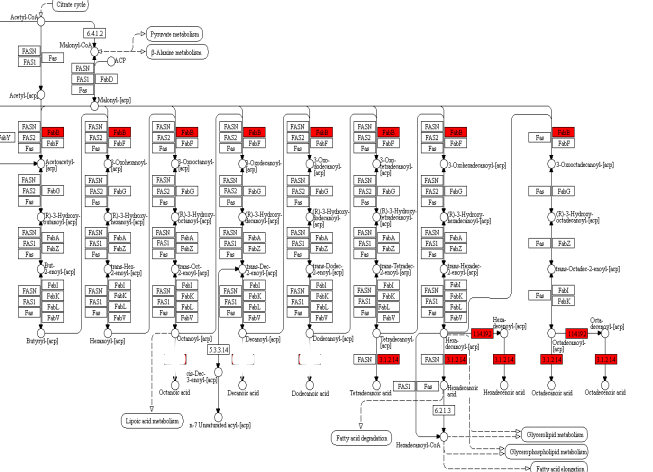


Data on KEGG graph

Rendered by Pathview

### Cluster 5

FATTY ACID BIOSYNTHESIS

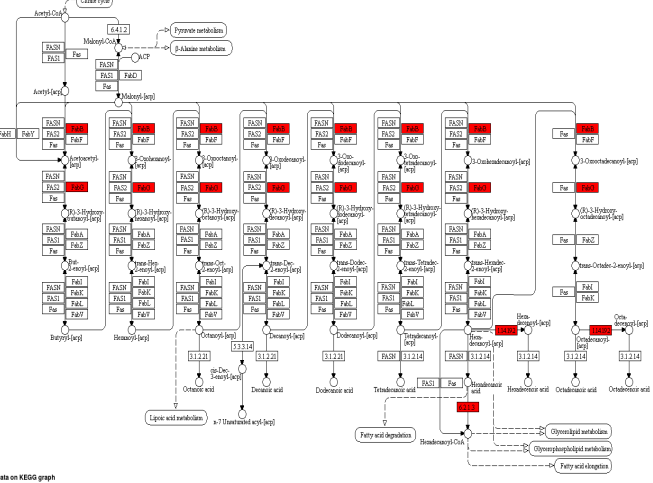


Data on KEGG graph

Rendered by Pathview

### Cluster 8

FATTY ACID BIOSYNTHESIS

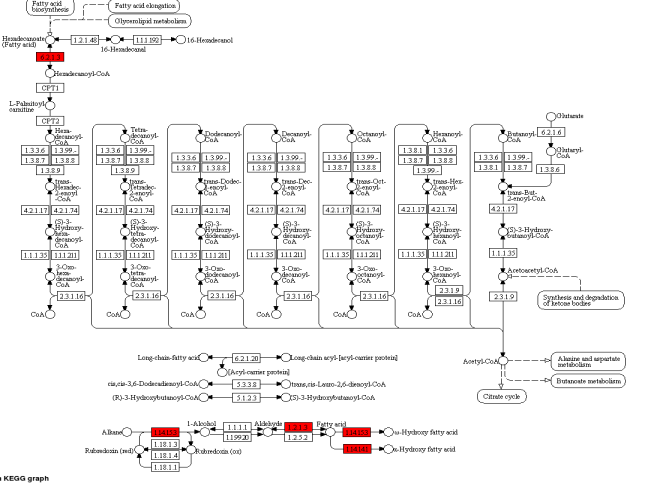


Data on KEGG graph

Rendered by Pathview

### Cluster 8

FATTY ACID DEGRADATION

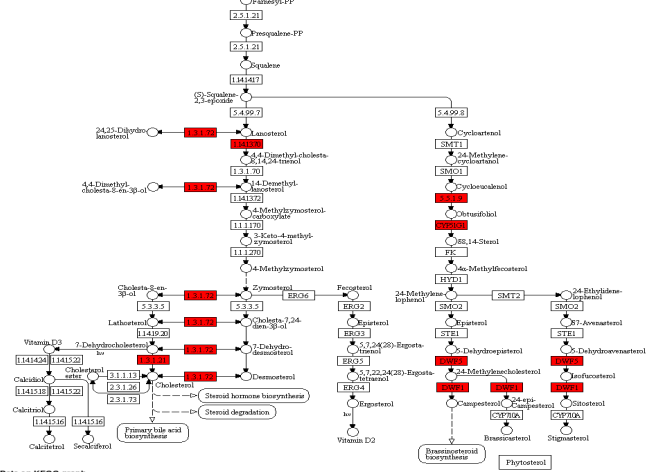


Data on KEGG graph

Rendered by Pathview

### Cluster 6

STEROID BIOSYNTHESIS

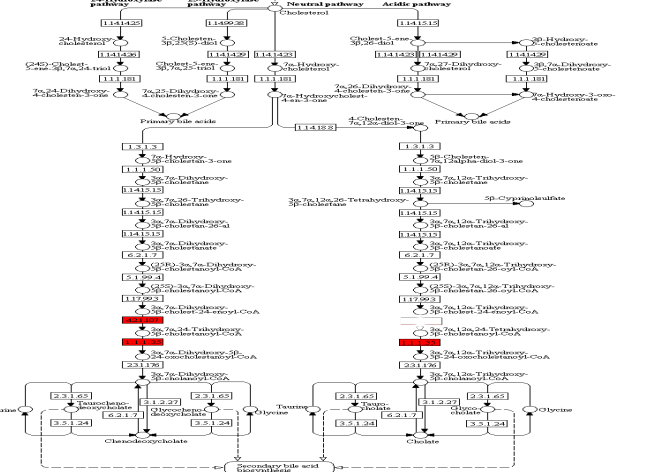


Data on KEGG graph

Rendered by Pathview

### Cluster 1

PRIMARY BILE ACID BIOSYNTHESIS

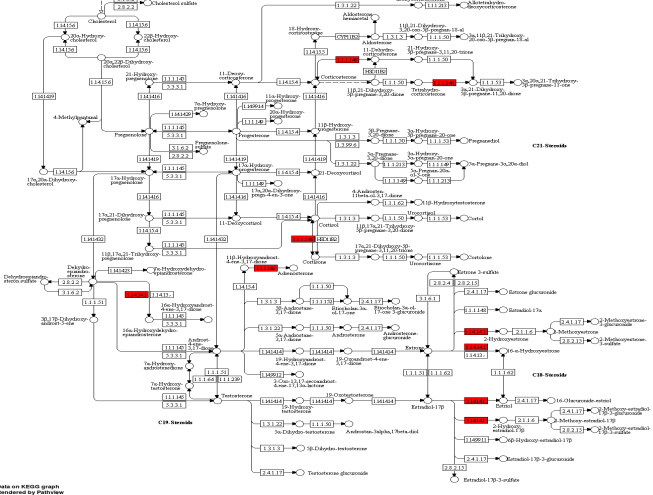


Data on KEGG graph

Rendered by Pathview

### Cluster 8

STEROID BIOSYNTHESIS

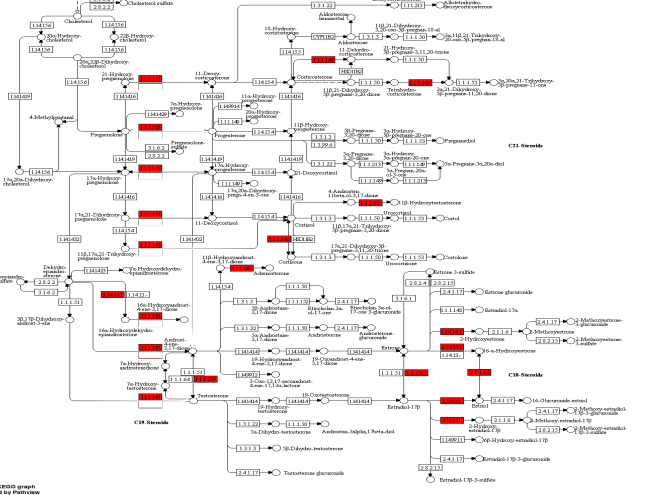


Data on KEGG graph

Rendered by Pathview

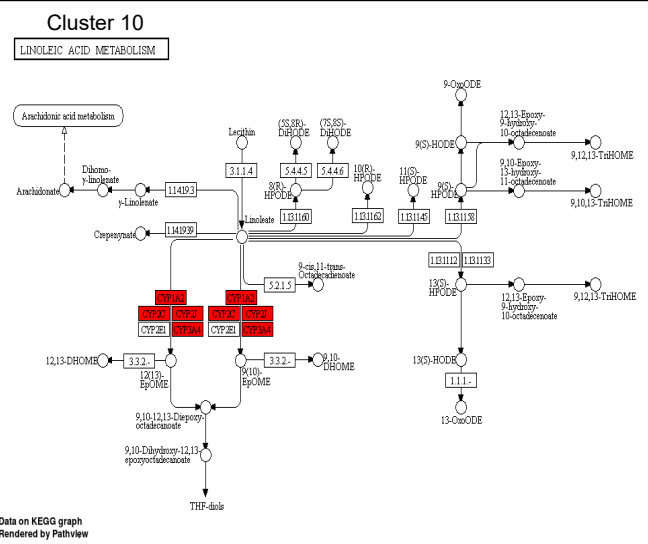
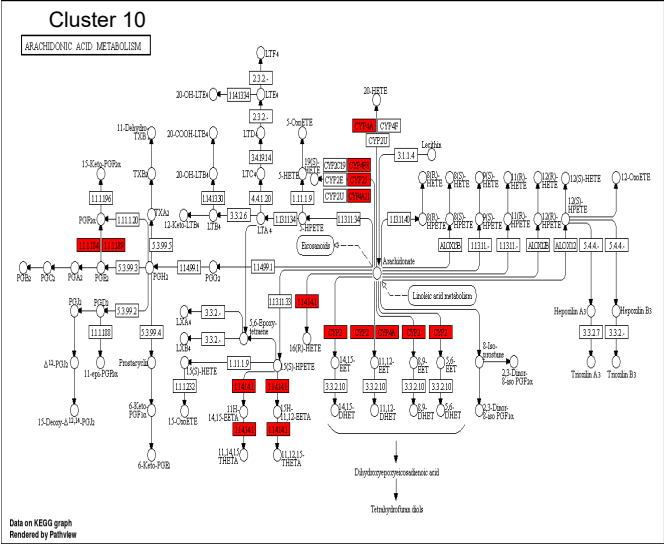
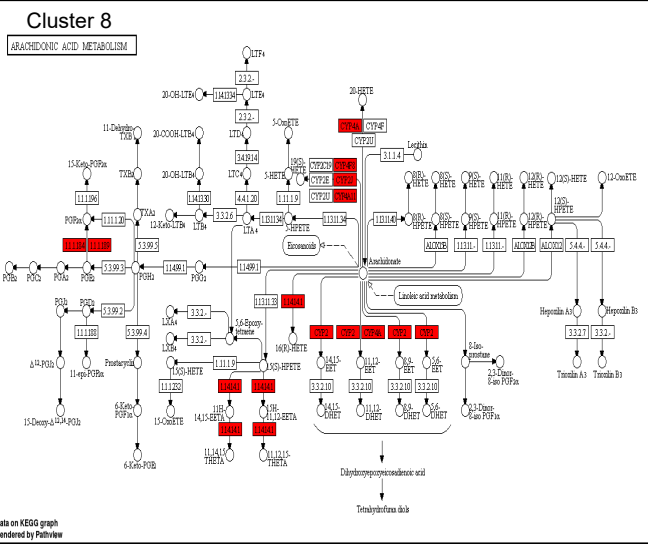
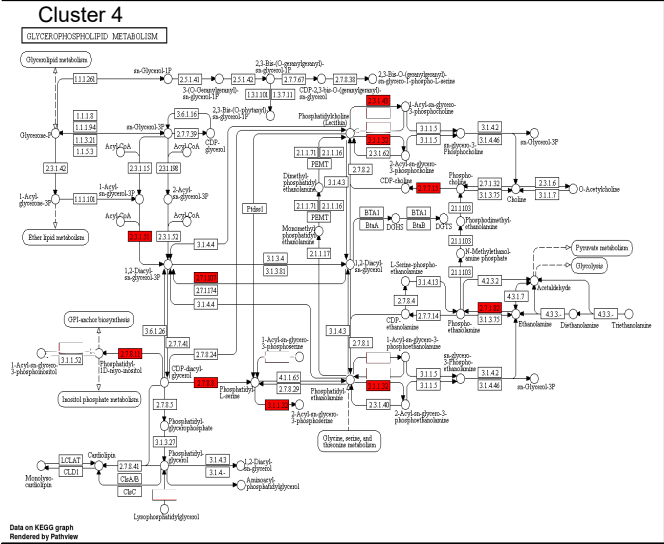
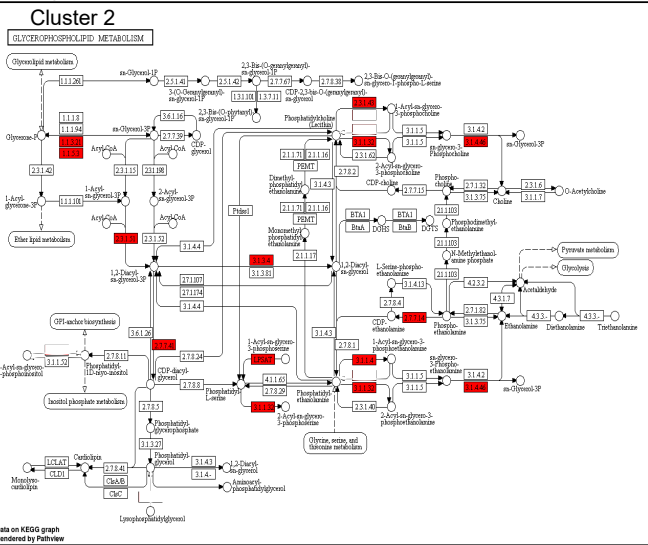
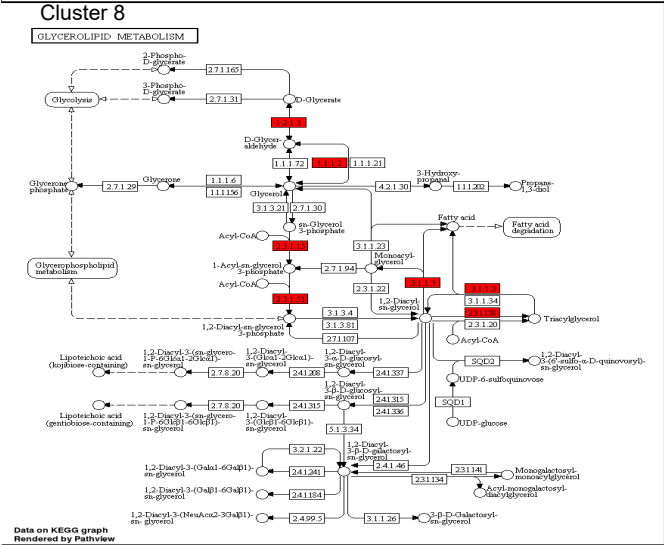
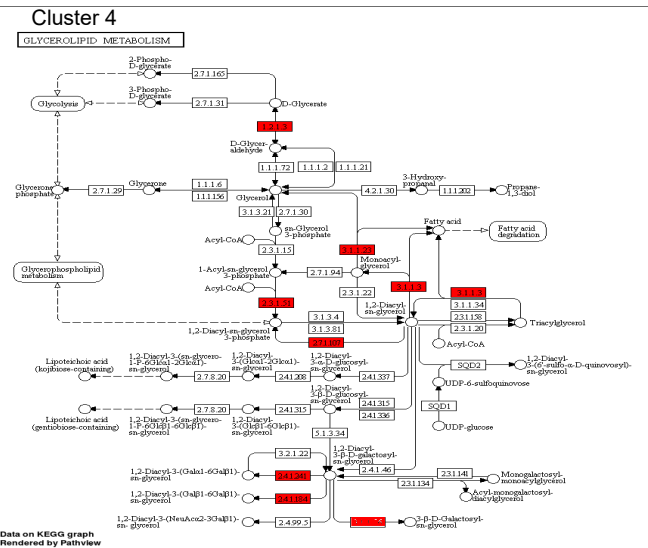
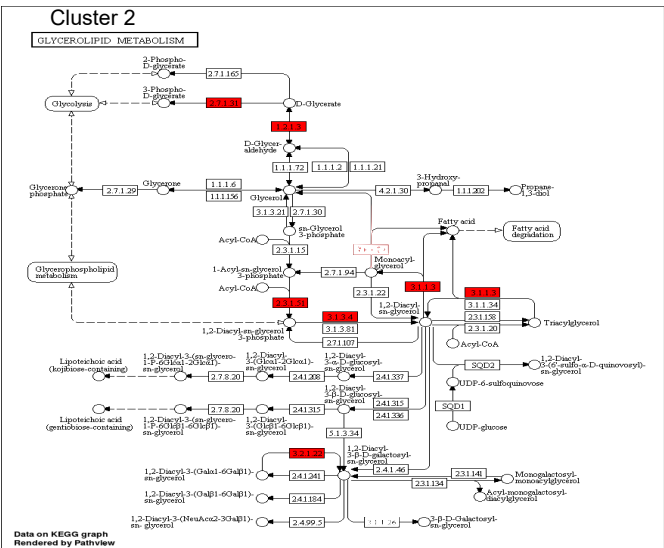
### Cluster 10

STEROID BIOSYNTHESIS



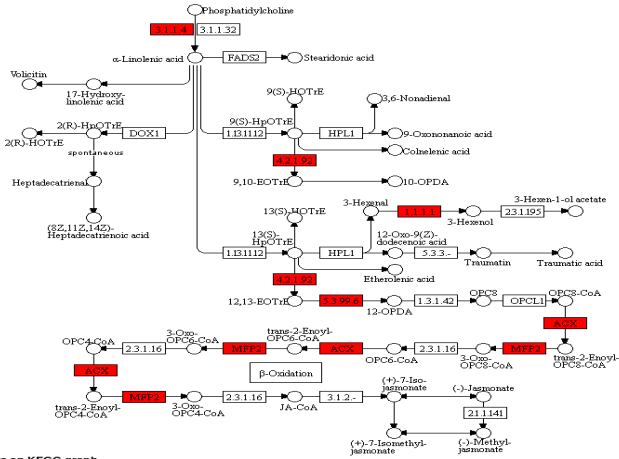
Data on KEGG graph

Rendered by Pathview



### Cluster 1

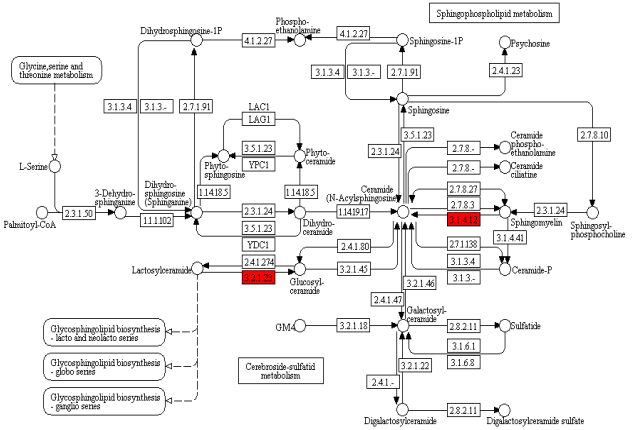
#### α-LINOLENIC ACID METABOLISM



Data on KEGG graph  
Rendered by Pathview

### Cluster 1

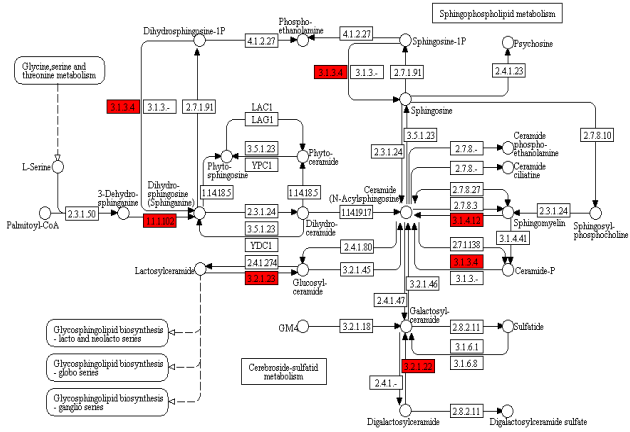
#### SPHINGOLIPID METABOLISM



Data on KEGG graph  
Rendered by Pathview

### Cluster 2

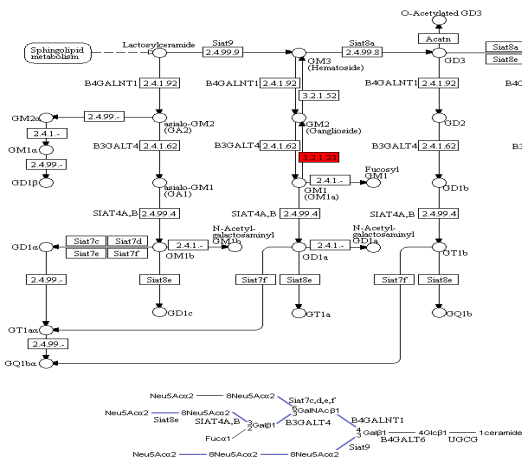
#### SPHINGOLIPID METABOLISM



Data on KEGG graph  
Rendered by Pathview

### Cluster 1

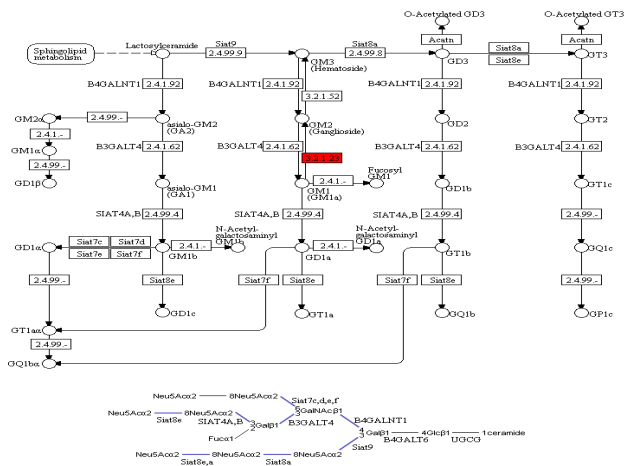
#### GLYCOSPHINGOLIPID BIOSYNTHESIS - GANGLIO SERIES



Data on KEGG graph  
Rendered by Pathview

### Cluster 5

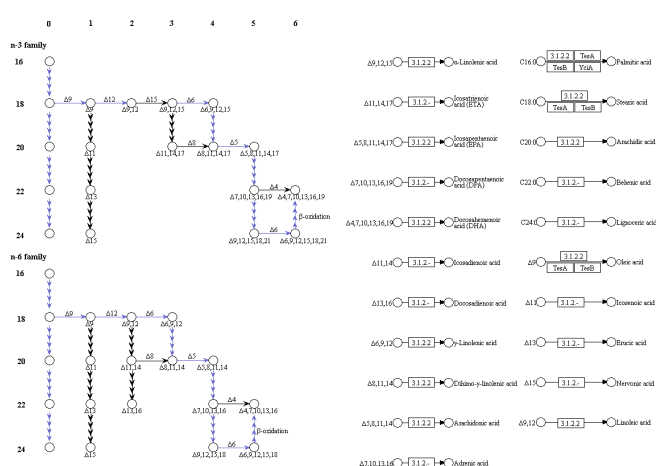
#### GLYCOSPHINGOLIPID BIOSYNTHESIS - GANGLIO SERIES



Data on KEGG graph  
Rendered by Pathview

### Cluster 1

#### BIOSYNTHESIS OF UNSATURATED FATTY ACIDS



Data on KEGG graph  
Rendered by Pathview